

USB PPS

User Manual

For Br502/Br802/TMR

Revision History

Rev	Date	Originator	Description
01	25-Jul-06	Hui Juan	Initial release
02	4-Jan-13	Wayhin	Updated USB PPS user manual

Approved By:

SK Chong
Executive Director
Daviscomms (S) Pte Ltd

Date: 4-Jan-2013

Contents

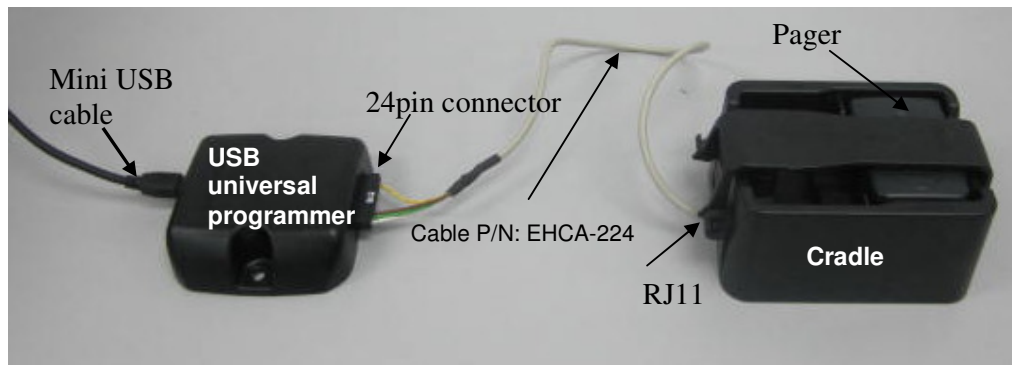
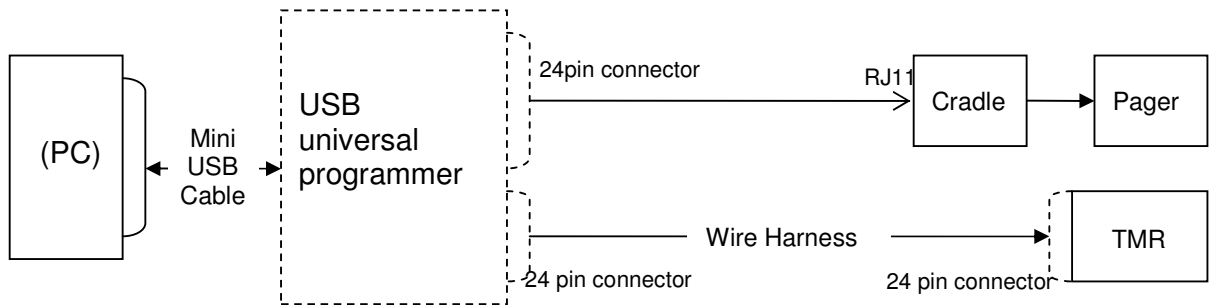
Contents	3
1. Programmer Setup.....	4
1.1 Programming Steps.....	4
1.2 PPS Programming Setup Block Diagram	4
1.3 Programmer & Accessories Part List.....	5
1.4 PPS Verification	5

1. Programmer Setup

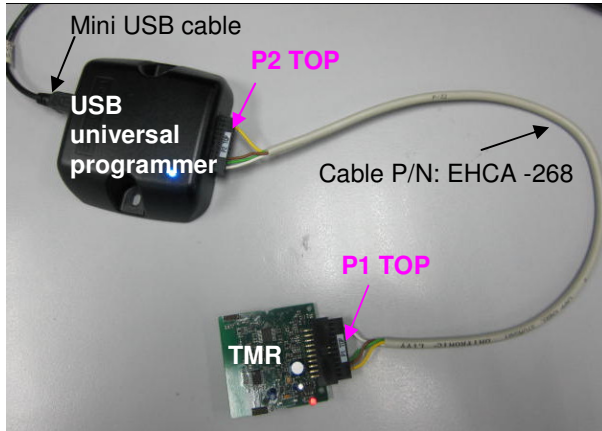
1.1 Programming Steps

- Step 1: Install PPS Programming software.
(Please refer to Section 1.4 PPS verification for first-time users)
- Step 2: Set up Programmer Kit as shown in the PPS Programming Setup Block Diagram.
- Step 3: Connect the USB Cable to PC.
- Step 4: Place the pager in the cradle (without battery door)
(OR) TMR

1.2 PPS Programming Setup Block Diagram



Fig(1) USB universal programmer for Pager programming



Note**

For TMR programming, cable P/N: EHCA-268 has two 24pin connectors. 24 pin connectors with marking “P1 TOP” connect to TMR and “P2 TOP” connects to USB universal programmer.

Fig(2) USB universal programmer for TMR programming

1.3 Programmer & Accessories Part List

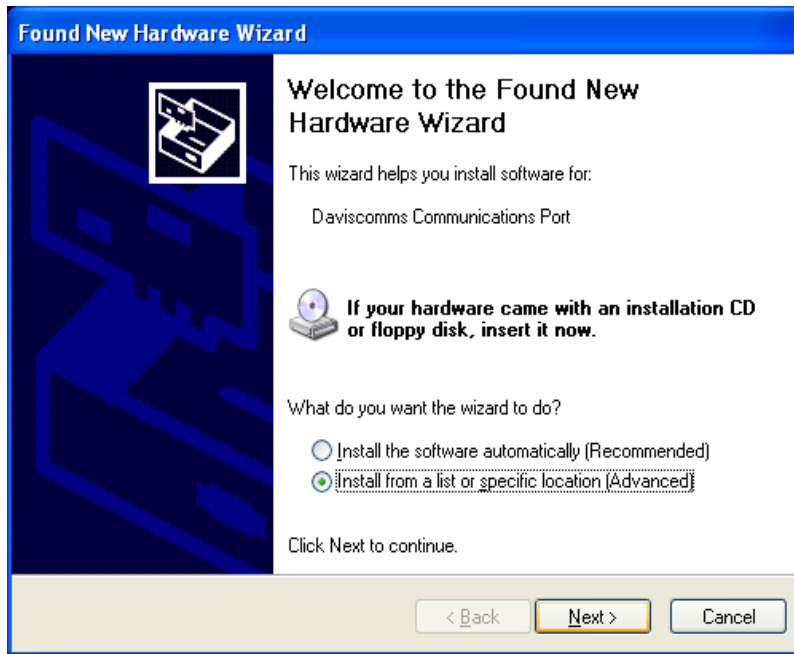
Item	Part Number	Description
1	400515R01	USB UNIVERSAL PROGRAMMER KIT
2	400038R01	TMR HOUSING ASSY KIT
3	PC10293	Mini USB cable
4	400087R01 400057R01	B502 CRADLE KIT (for Br502 only) B800 PROGRAMMING CRADLE KIT (for Bravo 800/Br802 only)
5	EHCA-268	Wire harness (for TMR programming)
6	EHCA-224	24pin to RJ11 connector (for pager programming)

1.4 PPS Verification

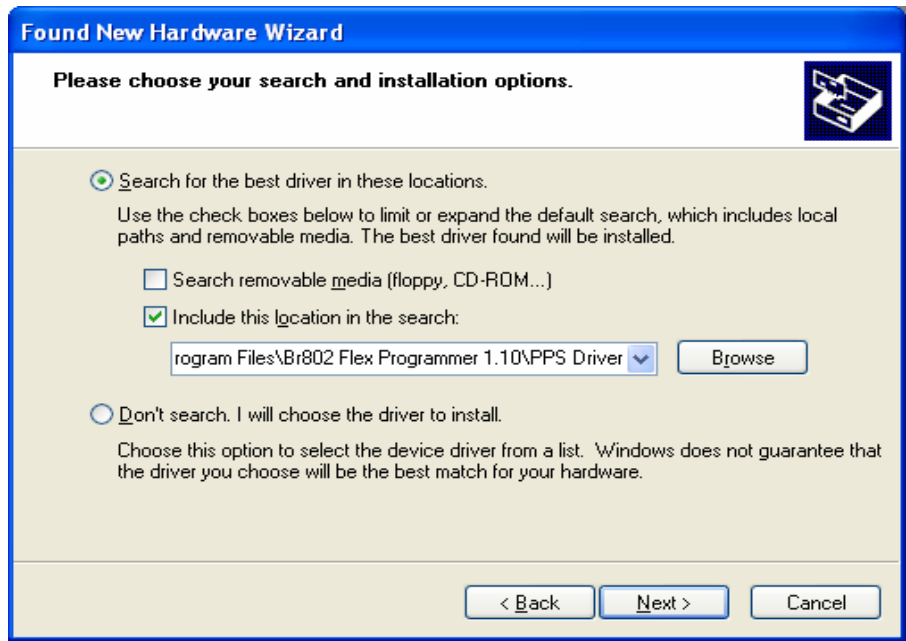
1. For the very first time when the PPS firmware is running, the Windows will prompt you for its driver. Skip step 2-6 if the driver has been installed.
2. Depending on the platform, the Windows might ask if it can connect to Windows Update. Choose *No, not this time*.



3. Select "Install from a list or specific location (Advance)" and click Next.



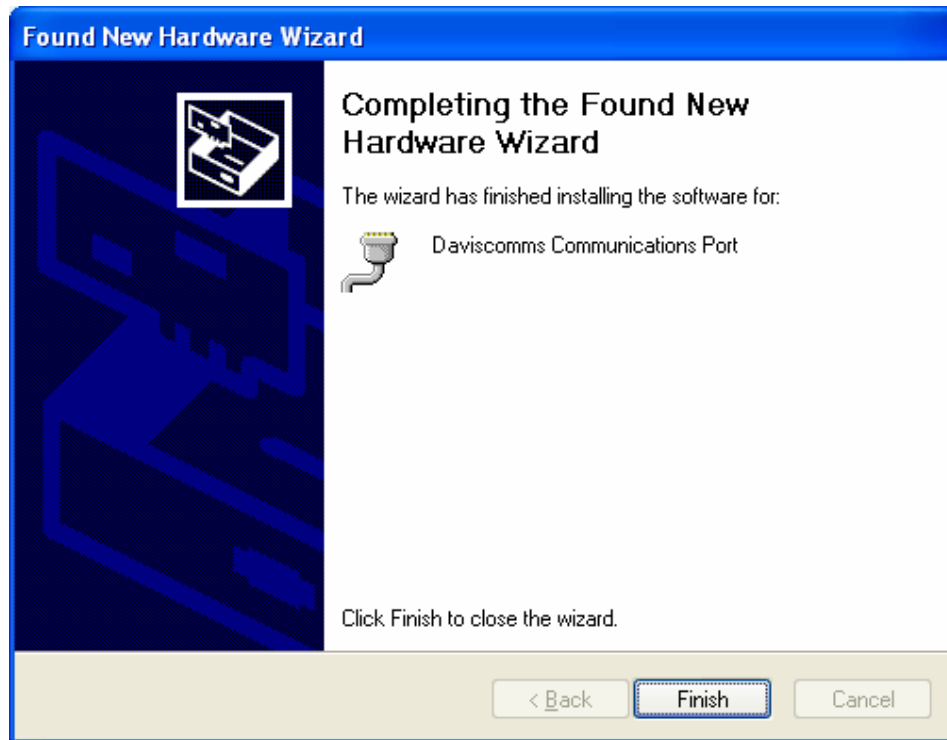
4. Check the box "Include this location in the search" and browse to the PPS Driver folder and click Next.



5. A Windows will popup saying the software has not passed Windows Logo testing. Click Continue Anyway.



- The installation is finish by clicking the Finish button.



- Launch the PPS and verify that erase/write/read operation via Parallel/COM interface is successful.